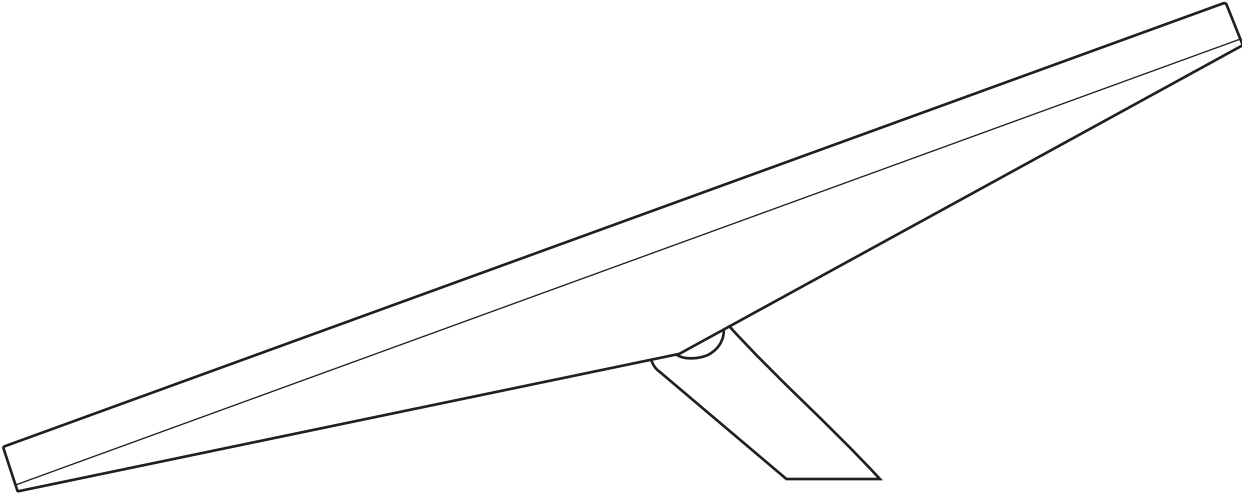
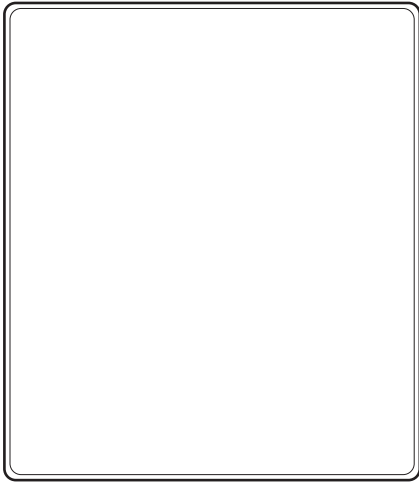


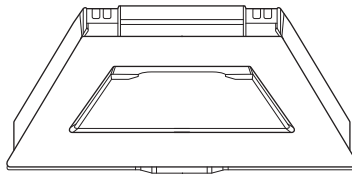
STARLINK | MINI SPECIFICATIONS



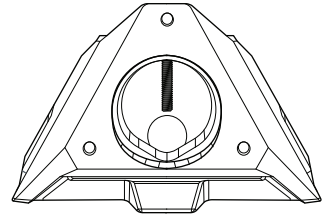
What's In The Box



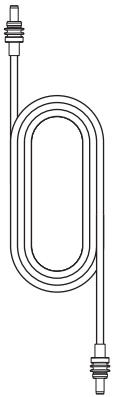
Starlink with Integrated WiFi



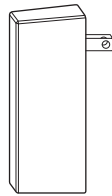
Kickstand



Pipe Adapter and Flat Mount



DC Power Cable
15 m
(49.2 ft)



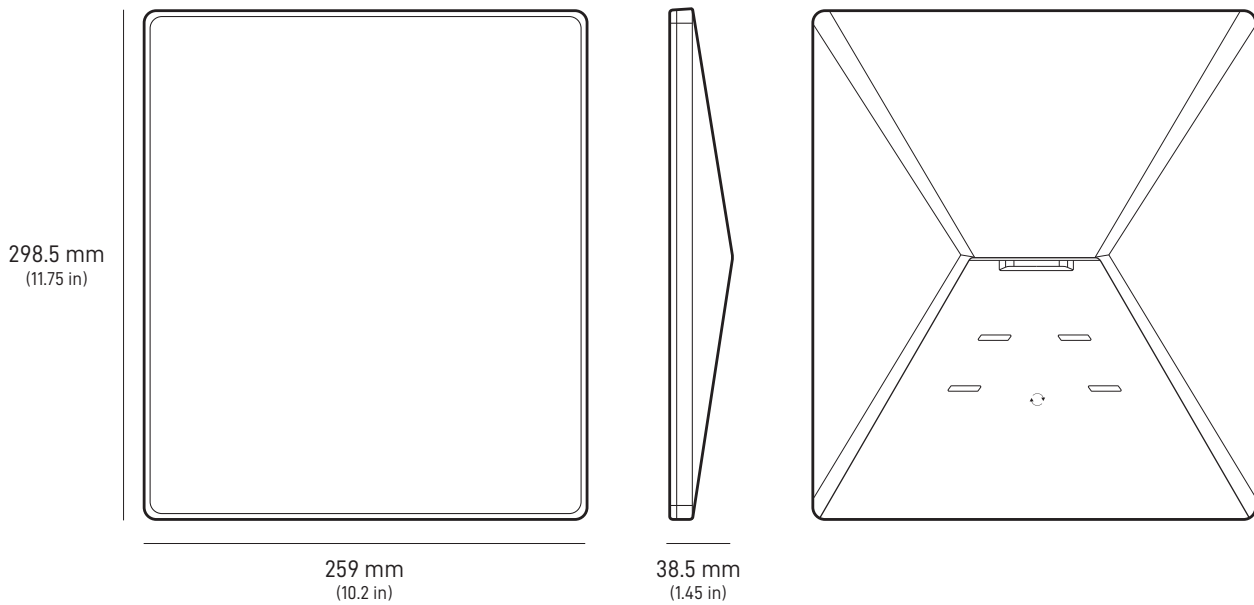
Power Supply



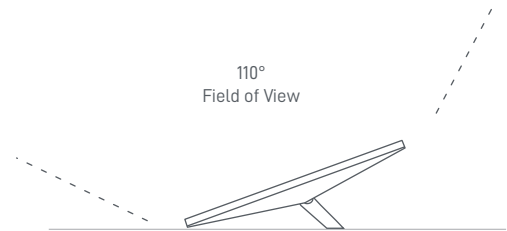
Starlink Plug

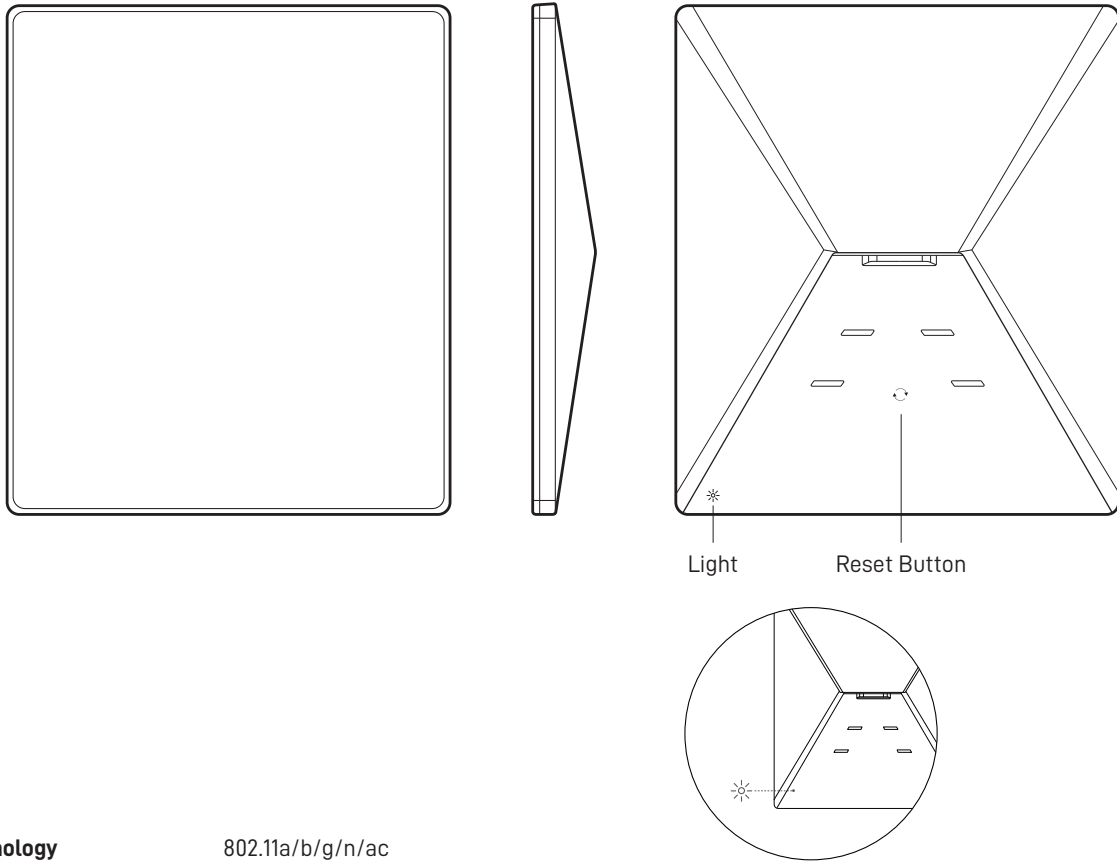
Package Weight: 2.89 kg (6.37 lbs)

Package Dimensions: 430 x 334 x 79 mm (16.92 x 13.14 x 3.11 in)

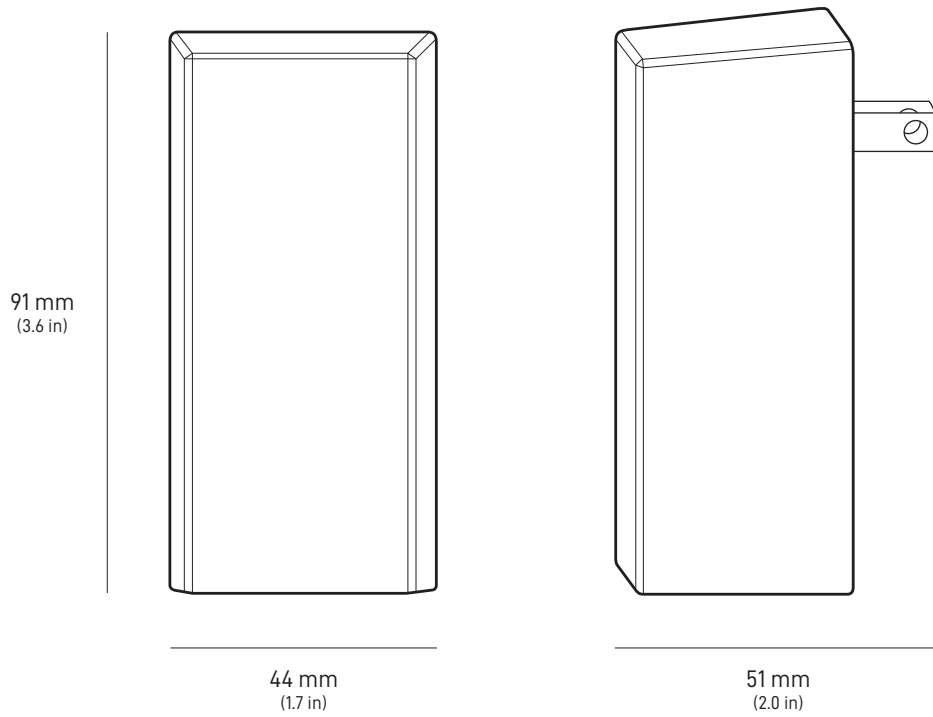


Antenna	Electronic Phased Array
Field of View	110°
Orientation	Software Assisted Manual Orienting
Weight	1.10 kg (2.43 lb) 1.16 kg (2.56 lb) with Kickstand 1.53 kg (3.37 lb) with Kickstand & 15 m Cable
Environmental Rating	IP67 Type 4 with DC Power Cable and Starlink Plug/Cable installed
Operating Temperature	-30°C to 50°C (-22°F to 122°F)
Wind Speed	Operational: 96 kph+ (60 mph+)
Snow Melt Capability	Up to 25mm / hour (1 in / hour)
Power Consumption	Average: 25-40W
Input Rating	12-48V 60W
USB PD Requirement	100W, 20V/5A Minimum (with Starlink USB-C to Barrel Jack Cable Accessory)

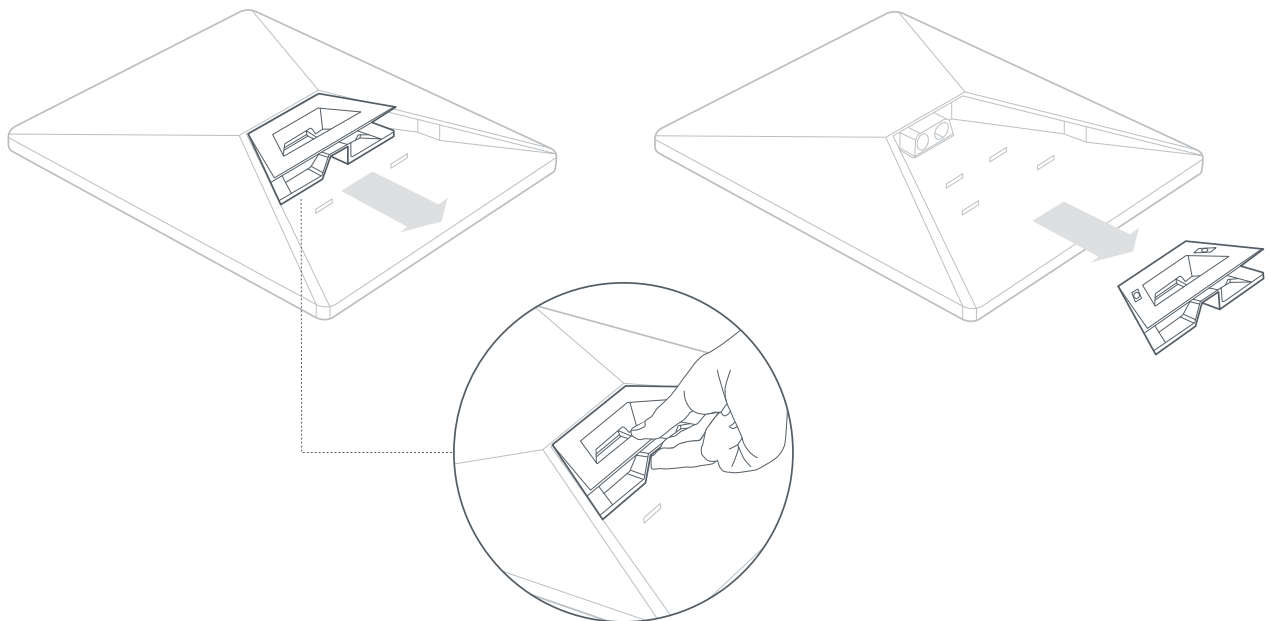
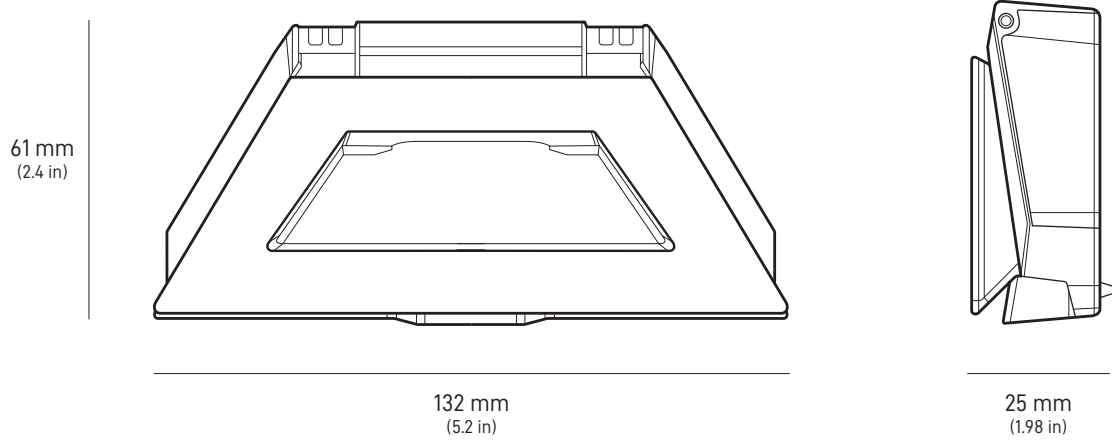


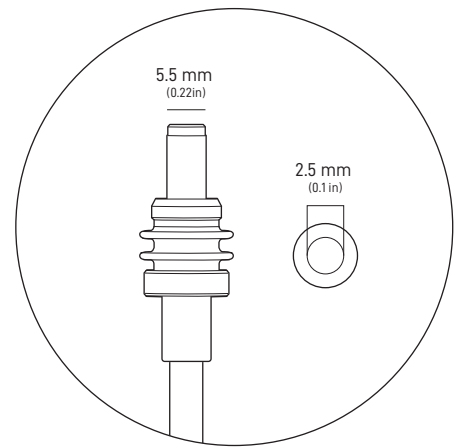
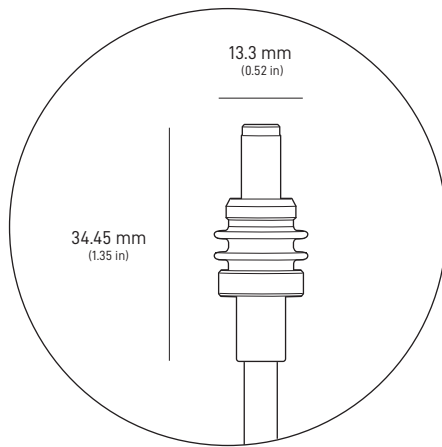
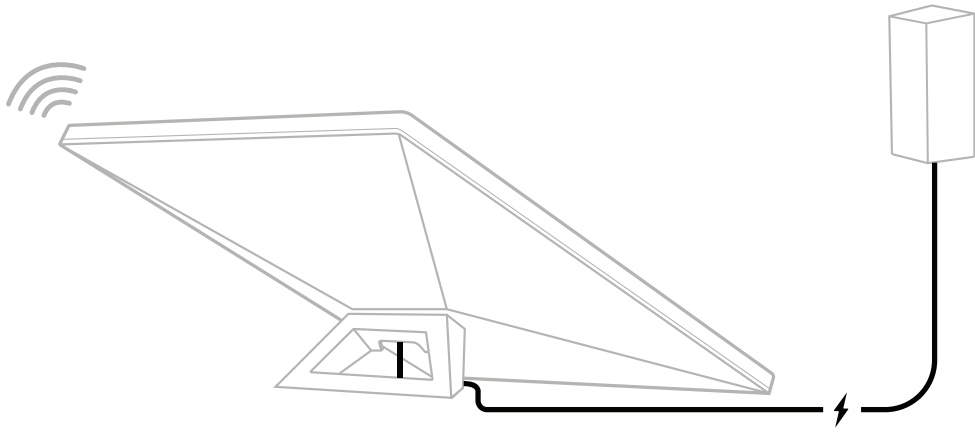


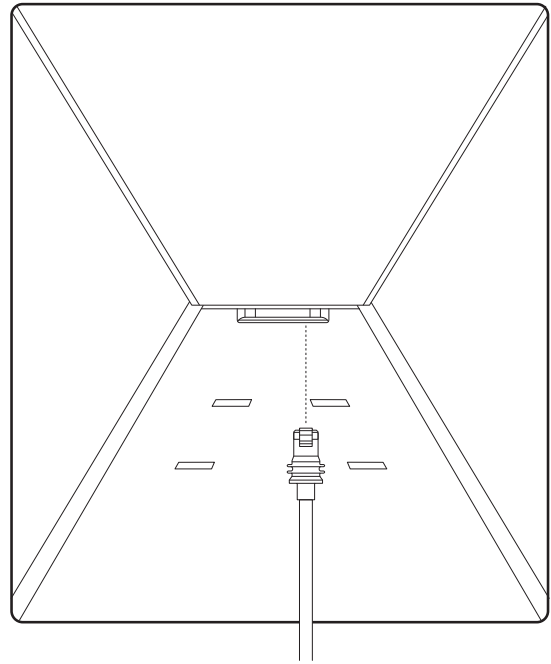
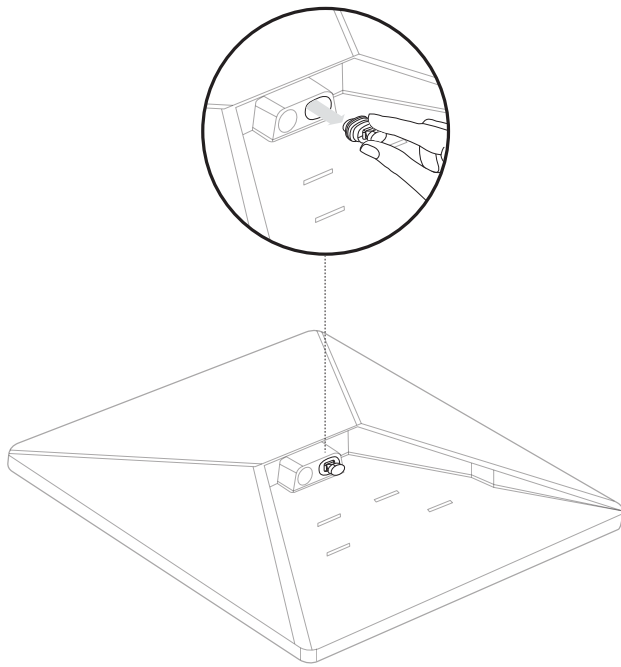
Wi-Fi Technology	802.11a/b/g/n/ac
Generation	WiFi 5
Radio	Dual Band 3 x 3 MU-MIMO
Ethernet Ports	One (1) Latching Ethernet LAN port with Starlink Plug
Coverage	Up to 112 m ² (1,200 ft ²)
Security	WPA2
Power Indicator	LED rear face plate, lower left corner
Mesh Compatibility	Compatible with all Starlink mesh systems *Not compatible with 3rd party mesh systems
Devices	Connect up to 128 devices



Product Dimensions	91 x 44 x 51 mm (3.6 in x 1.7 in x 2.0 in)
Weight	0.2 kg (0.44 lbs)
Environmental Rating	IP66 Type 4
Operating Temperature	-30°C to 50°C (-22 to 122°F)
Power Specifications	100-240V ~ 1.6A 50 - 60 Hz

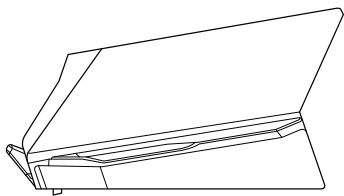






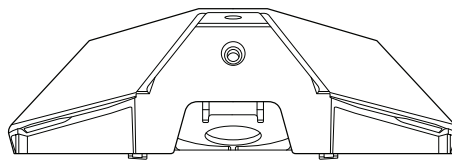
*Mini Starlink Cable not included. Available on shop.starlink.com.
This product is no longer rated IP67 with a standard RJ45 cable.

PIPE ADAPTER AND FLAT MOUNT

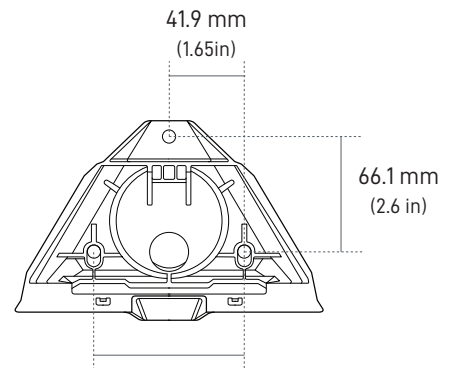


103.5 mm
(4.07 in)

58.1 mm
(2.29 in)

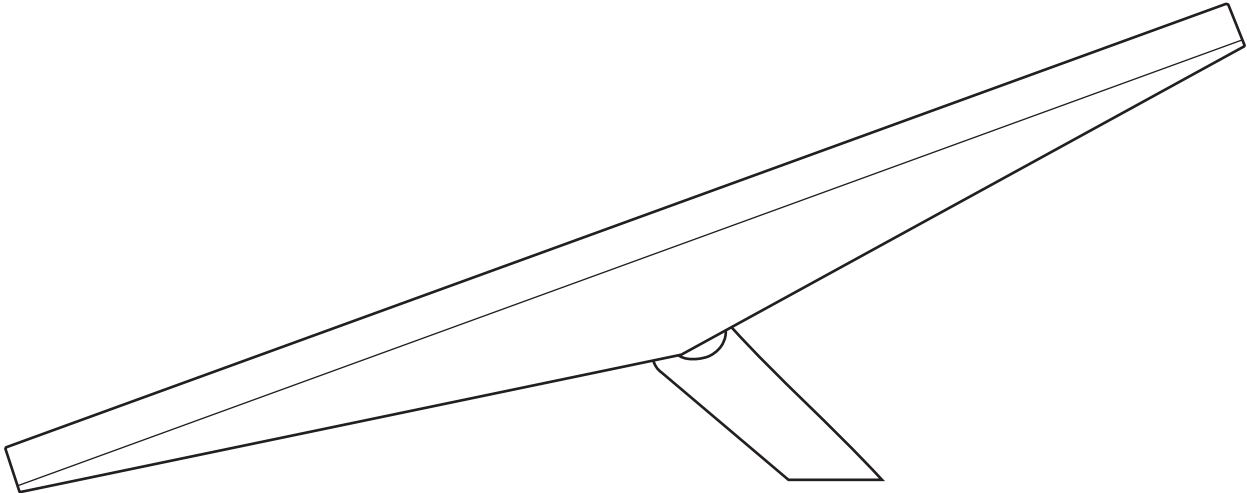


172.7 mm
(6.8 in)

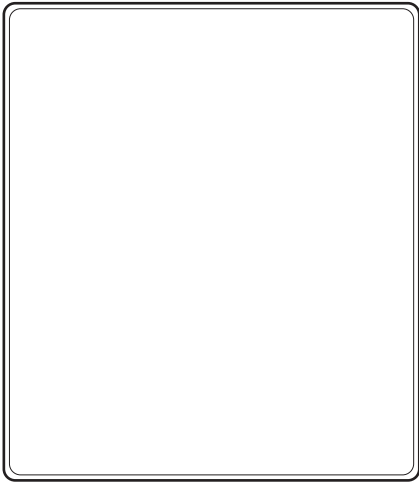


83.9 mm
(3.3 in)

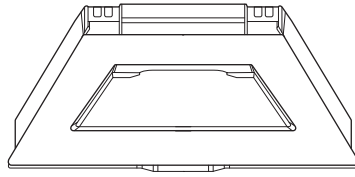
STARLINK | MINI SETUP GUIDE



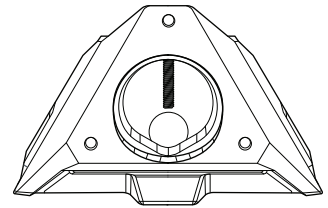
What's In The Box



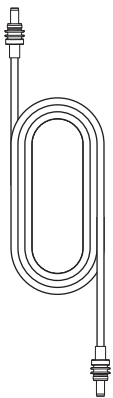
Starlink with Integrated WiFi



Kickstand

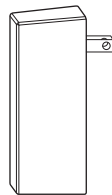


Pipe Adapter and Flat Mount



DC Power Cable

15 m
(49.2 ft)



Power Supply



Starlink Plug

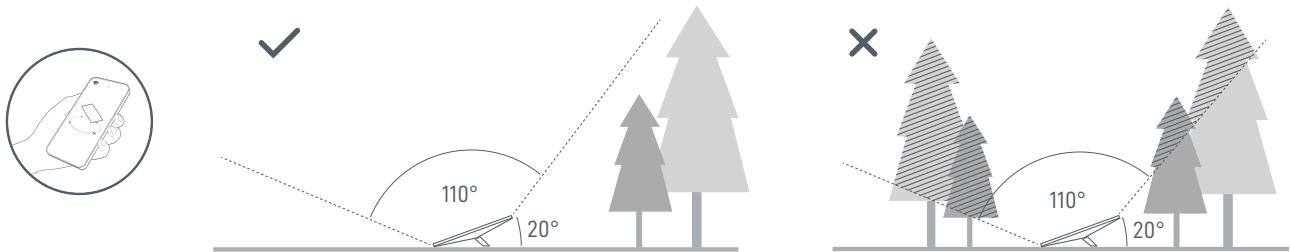
1 | Download the Starlink App

Download the Starlink App and scan the QR code to step through the install process.

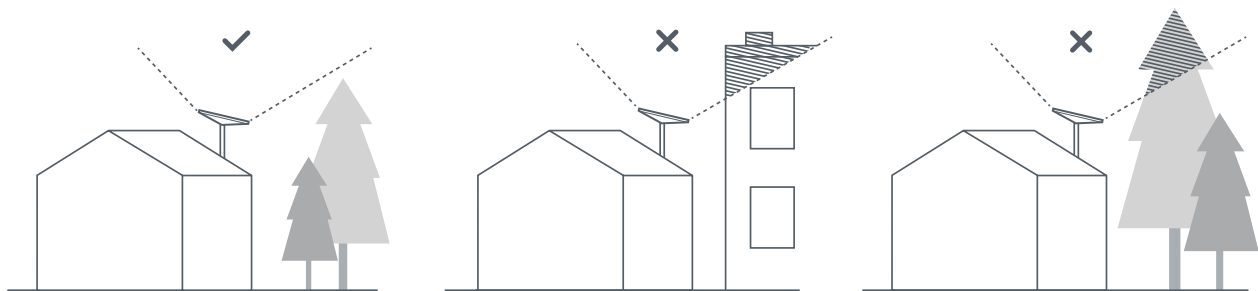


2 | Find A Clear View of Sky and Check for Obstructions

Your Starlink needs a clear view of the sky so it can stay connected with satellites as they move overhead. Objects that obstruct the connection between your Starlink and the satellite, such as a tree branch, pole, or roof, will cause service interruptions. Use the obstruction tool in the App to ensure you have selected a suitable mounting location.



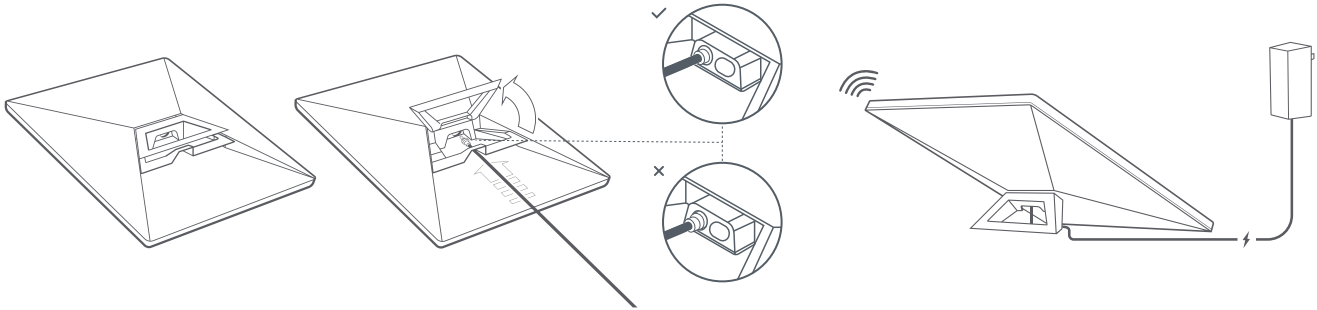
If you could not find a clear field of view from the ground level, consider installing in an elevated location, like a roof, pole, or wall. Additional mounts and accessories are available for purchase on the Starlink Shop.



3 | Plug in Starlink

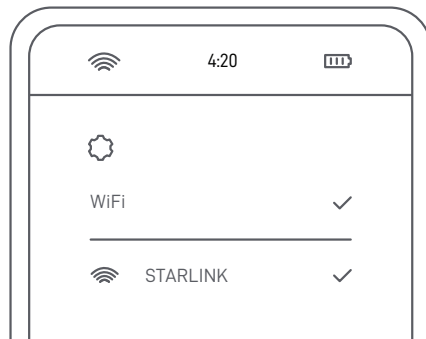
Lift the kickstand and plug one end of the provided cable into your Starlink. Ensure the plug is fully inserted such that the plug face is flush with the surface.

Route the other end of the power cable to your power supply and plug it into a power outlet.



4 | Connect to WiFi

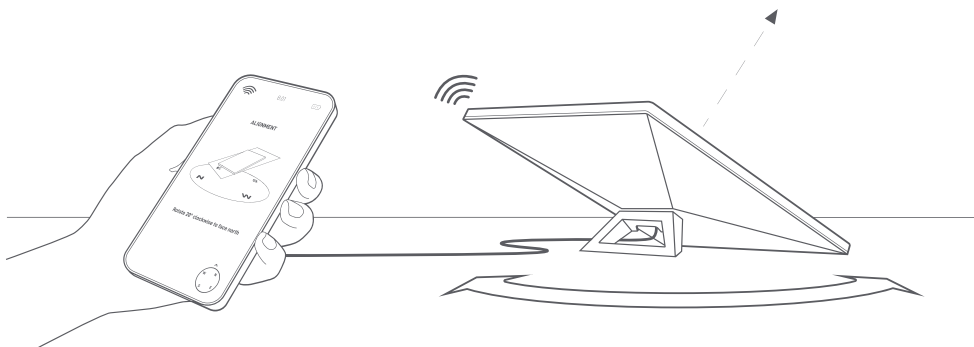
1. On your device, find and connect to the STARLINK network in your WiFi settings.



2. You are now connected! Open the Starlink App to customize additional settings, check your connection, and more.

5 | Align Starlink

An alert on the App will show if you need to rotate Starlink to be properly aligned. Tap the alert to use the alignment tool.



Can't Get Online?

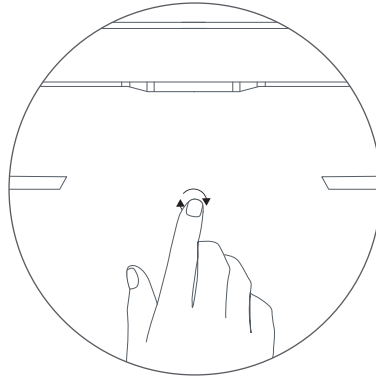
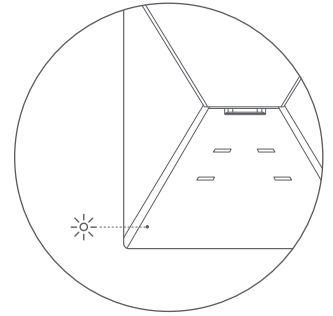
1. Open the Starlink App to check for any alerts, outages, or obstructions.
2. Check the status light on the back of your Starlink.

Slow Blinking ————— Powered on.

No Light ————— No power to Starlink.

Fast Blinking ————— LED will blink quickly for 3 seconds while holding down the reset button, then LED will turn off as your Starlink reboots.

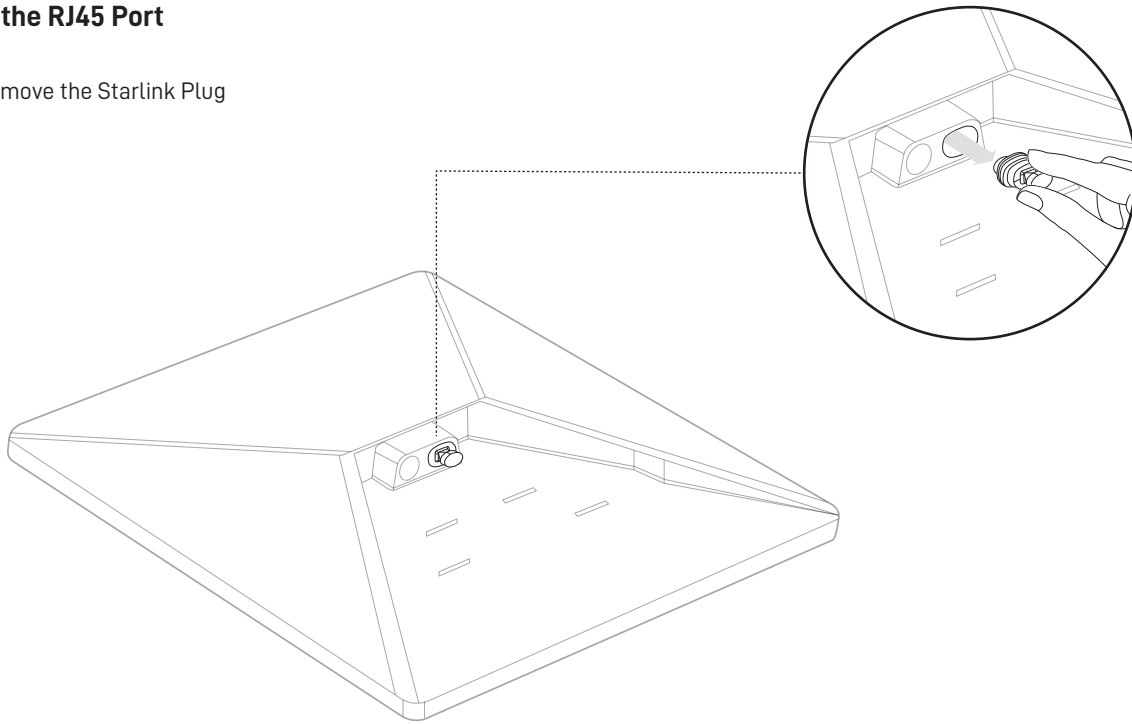
3. Make sure everything is securely plugged in and there is no damage to hardware or cables.
4. Power cycle your Starlink by unplugging from power and then plugging back in.
5. Factory reset the Starlink by locating the reset icon on the back. Press down firmly until you hear a click and hold for 3 seconds. The LED will blink quickly and shutoff when complete.



6. If none of these work, contact Starlink Customer Support in the app or the Support section of [starlink.com](https://support.starlink.com)

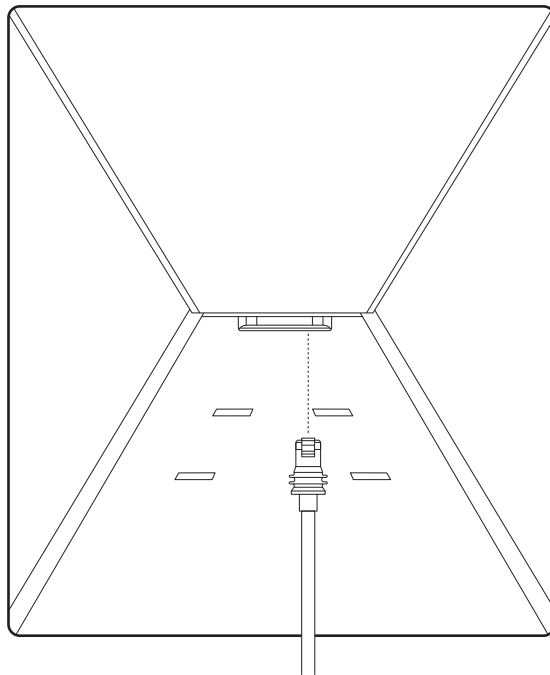
Using the RJ45 Port

1. Remove the Starlink Plug



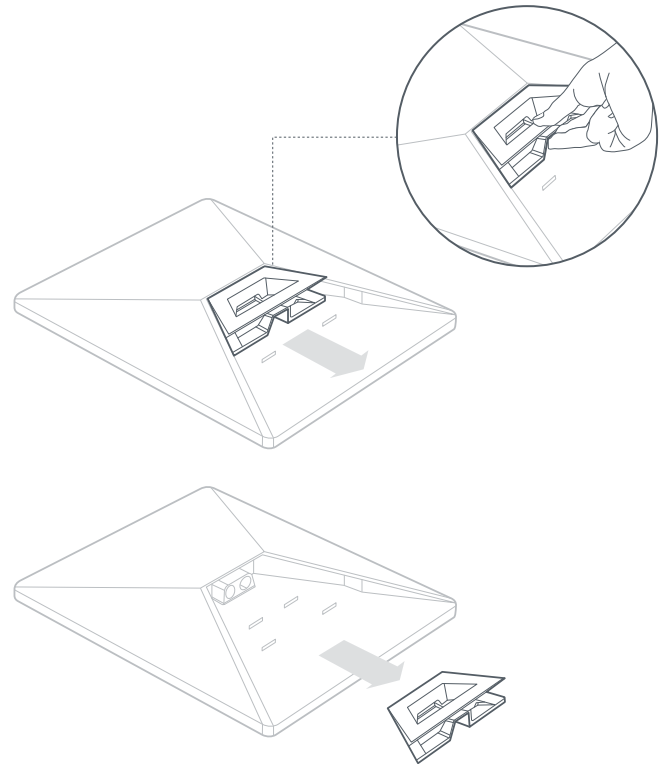
2. Plug in the Mini Starlink Cable available on shop.starlink.com or your own ethernet cable into the port. Connect the other end of your cable to your wired mesh or 3rd party hardware.

Note: This product is no longer rated IP67 with a standard RJ45 cable.

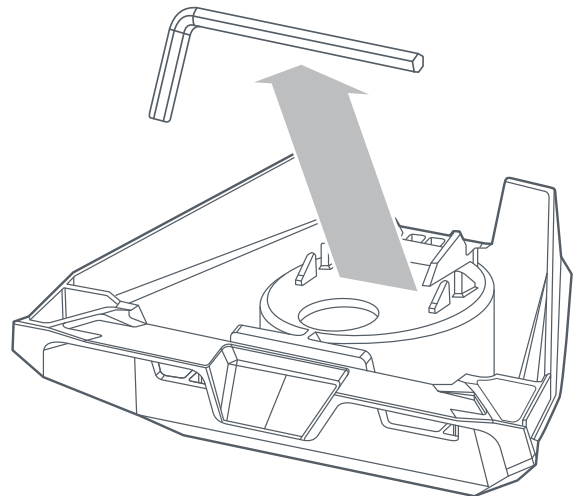


PIPE ADAPTER INSTALLATION**1 | Remove Kickstand**

Squeeze the release tab and pull it away from its fixed location.

**2 | Remove Hex Key**

Remove hex key from the bottom of the mount.

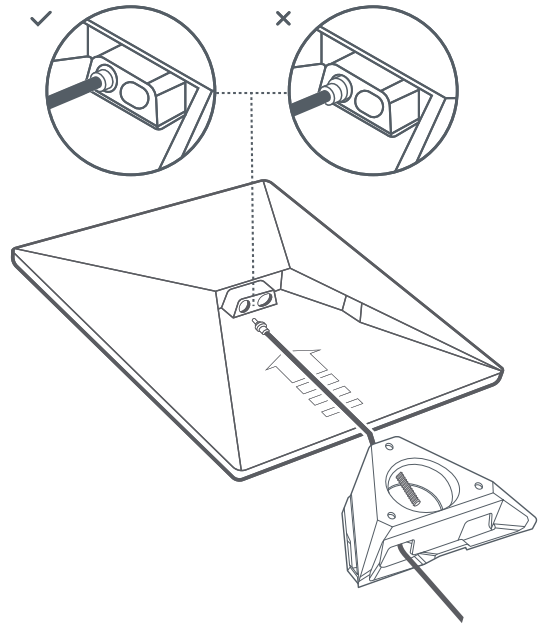


PIPE ADAPTER INSTALLATION

3 | Route Cable and Install Mount

Route the power cable through the opening in the mount and out the front end.

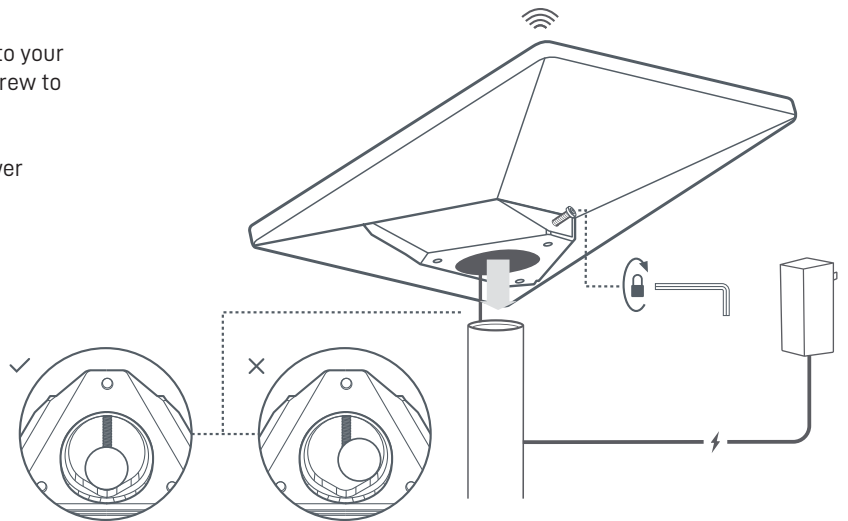
Plug the cable into your Starlink and ensure the plug is fully inserted such that the plug face is flush with the surface.



4 | Mount Starlink to Pipe

Loosen the attachment screw and slide the mount onto your mounting pipe. Temporarily tighten the attachment screw to stabilize Starlink onto pipe.

Connect the other end of the Starlink cable to the power supply and plug it into power outlet.

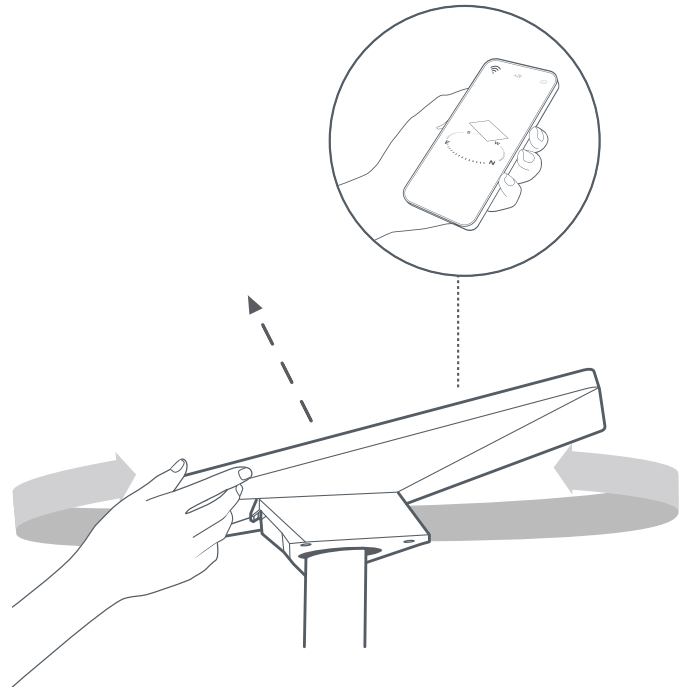


PIPE ADAPTER INSTALLATION

5 | Align Your Starlink

An alert on the App will show if you need to rotate Starlink to be properly aligned.

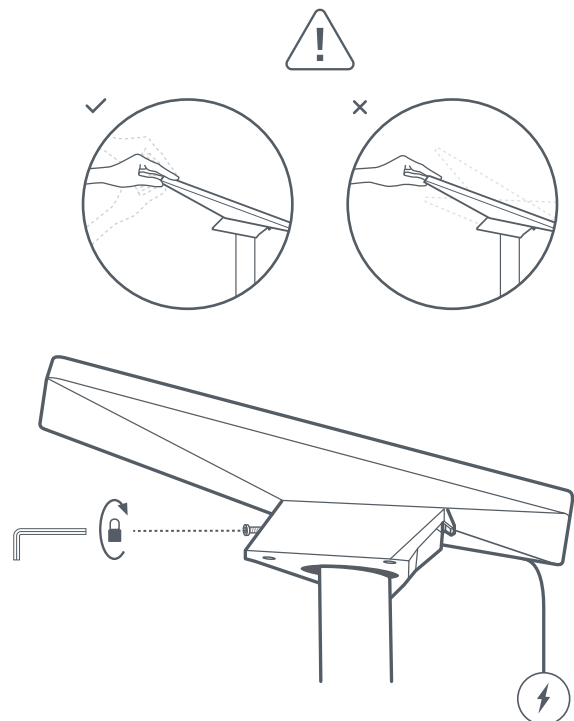
Click the alert to use the alignment tool.



6 | Lock Alignment

Tighten the attachment screw with the hex key on the mount until hand tight to lock your Starlink in place.

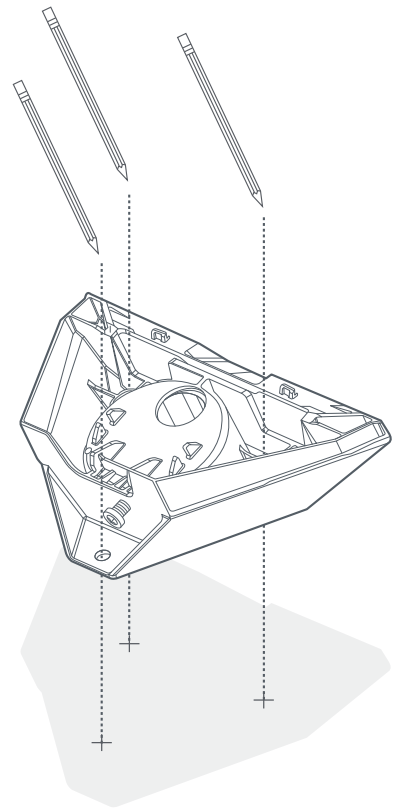
Ensure your Starlink is firmly attached.



FLAT MOUNT INSTALLATION

1 | Mark the Pilot Holes

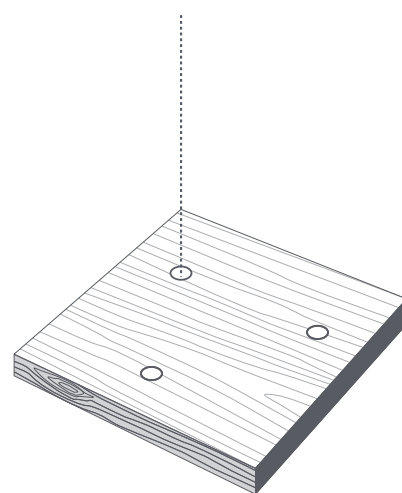
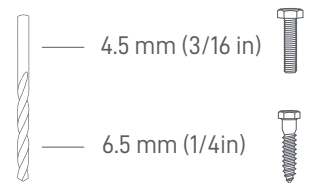
Identify the installation location and mark the location of the 3 holes on your Mini Pipe Adapter and Flat Mount using a pen or pencil.



2 | Drill the Pilot Holes

Drill the pilot holes based on your preferred hardware. We recommend using a 6 mm (1/4 in) screw or bolt. For wood screws, use a 4.5 mm (3/16 in) drill bit and for bolts, use a 6.5 mm (9/32 in) drill bit.

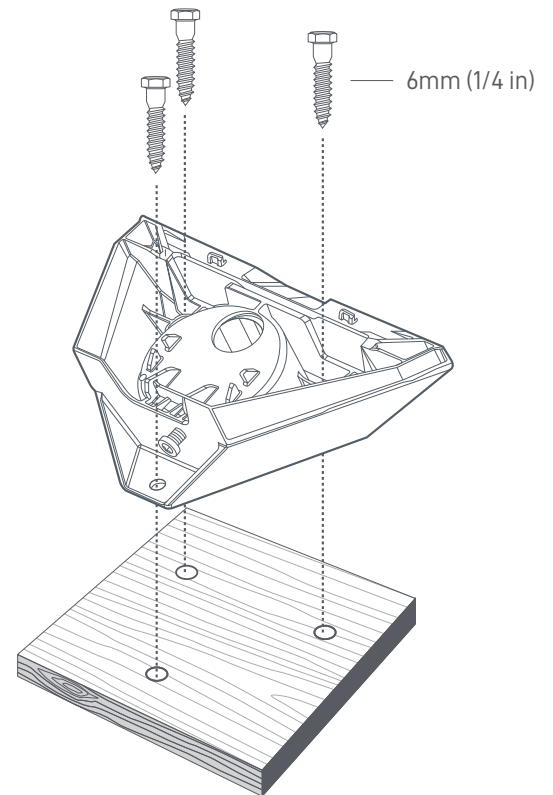
A mounting surface of at least 0.5in thick is recommended if using a wood screw.



FLAT MOUNT INSTALLATION

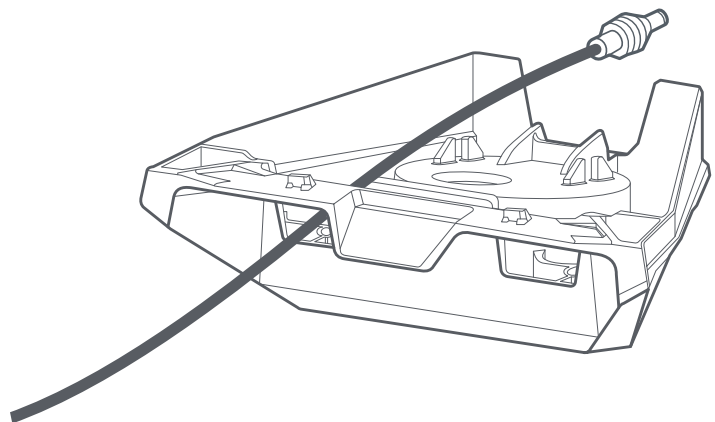
3 | Screw Mount to Surface

Secure the mount to surface. Fasteners not included. We recommend using a 6 mm (1/4 in) screw or bolt.



4 | Route Cable Through Mount

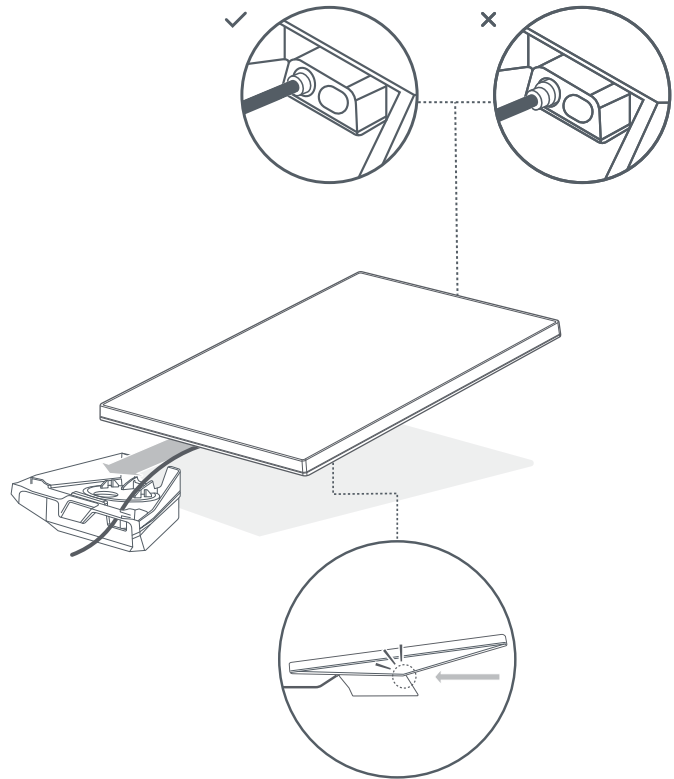
Route the Starlink cable through the opening in the mount and out the front end.



FLAT MOUNT INSTALLATION

5 | Plug in Cable and Install Starlink

Plug the ethernet cable into your Starlink and ensure the ethernet cable is fully inserted. Slide your Starlink into the mount until it clicks into place.



Removing Your Starlink

If you need to remove your Starlink, push down on the release tab on the mount while pushing your Starlink away from you.

