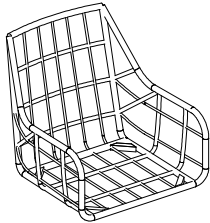
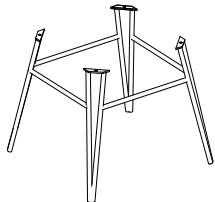





ASSEMBLY INSTRUCTIONS

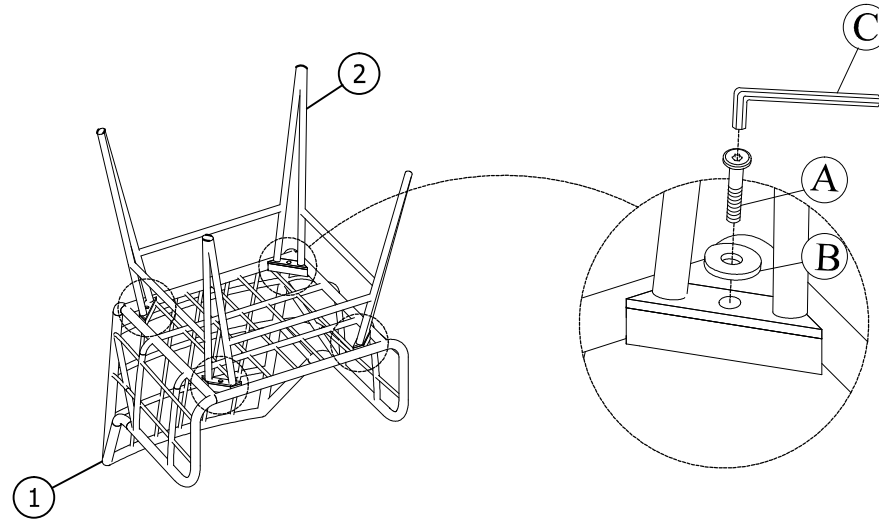
PART LIST

1		x1
2		x1

HARDWARE LIST

NO.	DESCRIPTION	SKETCH	Q.TY
A	Allen Bolt M6x20mm		4
B	Flat Washer M6x16mm		4
C	Allen Wrench M4		1

STEP 1



STEP 2

